

FEATURES

- Single threshold for alcove installation.
- ADA compliant base allows for roll-in entry with a flat entrance.
- Installation for new and existing construction
- 100% solid surface material.
- 1" collapsible bumper allows for wheelchair access into the shower and protects the rest of the bathroom by containing water inside the shower.
- Features a concealed drain with removable cover that brings both a design element and comfort to your shower experience. Lift-off cover allows for easy cleaning.
- 10 Year Limited Residential Warranty / 3 Year Commercial Warranty

COLORS

- 8 colors with 2¼" x 2¼" tile pattern.

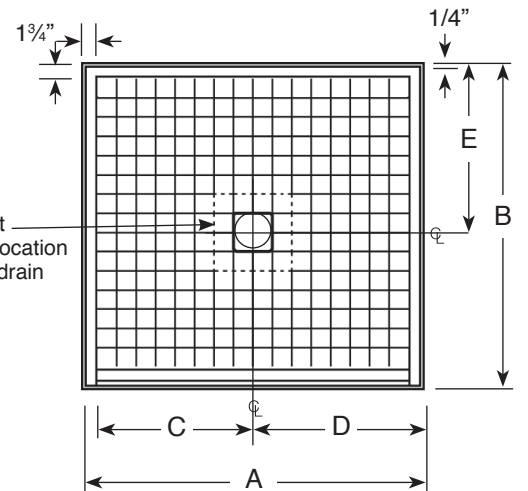


Collapsible Bumper

Concealed drain with removable cover

Specified Model

	SIZE	MODEL NO.	A	B	C	D	E	HT.
<input type="checkbox"/>	39½" x 37¾"	FC3938	39½"	37¾"	18"	19¾"	18⅞"	3"
<input type="checkbox"/>	63½" x 37¾"	FC6338	63½"	37¾"	30"	31¾"	18⅞"	3"




To Be Specified: Color (see below)

2¼" Square Tile Pattern / Colors

<input type="checkbox"/>	01 White
<input type="checkbox"/>	02 Cameo
<input type="checkbox"/>	05 Almond
<input type="checkbox"/>	08 Biscuit
<input type="checkbox"/>	11 Storm
<input type="checkbox"/>	14 Sand
<input type="checkbox"/>	67 Matrix Khaki
<input type="checkbox"/>	86 Sea Shore

Compliance Certifications - Meets or Exceeds the Following Specifications

- IGC 154-2012
- ASME A112.18.1 / CSA B125.125.1-11
- IAPMO 
- cUPC®

 Shower Base is ADA-adaptable and will comply with the Americans with Disabilities Act when installed per requirements of the 2010 ADA Standards for Accessible Design, Section 608 Shower Compartments, of the Act.

