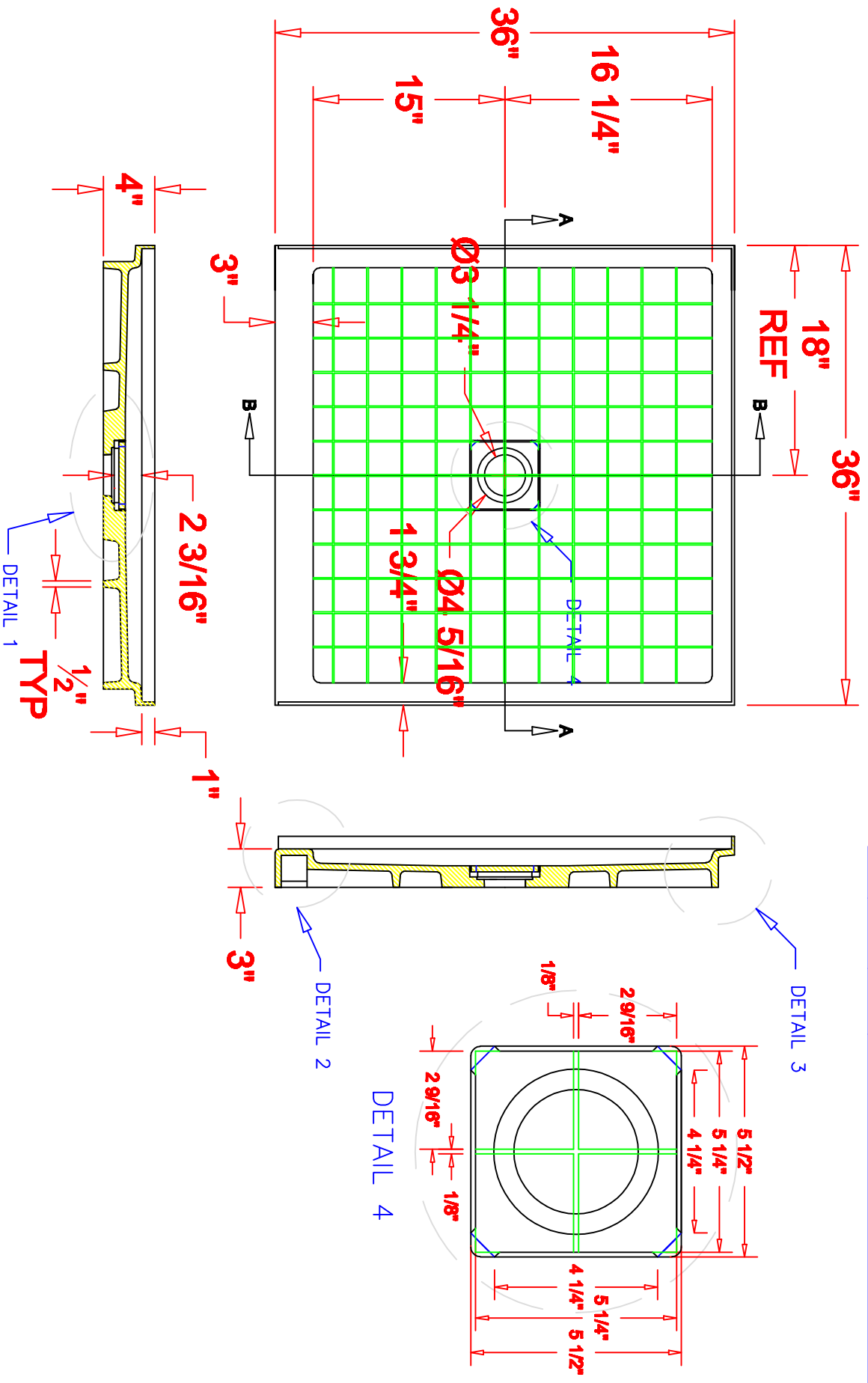


Rev #	Rev #



transolid™ 125 Linwood Veneer Road Linwood, NC 27299 336-776-3810 FAX 336-776-3811 www.transolid.com		Part Number: F36336
Description: Pan, Standard 36" x 36", Center Drain Location - With Cover		Date Drawn: 12/11/12
Drawn By: Daniel Hollifield		Weight: None
Approved By:		Scale: None
Customer Approval:		Revised By:
Date:		Date Revised:
Path: Engineering\Omnimark		