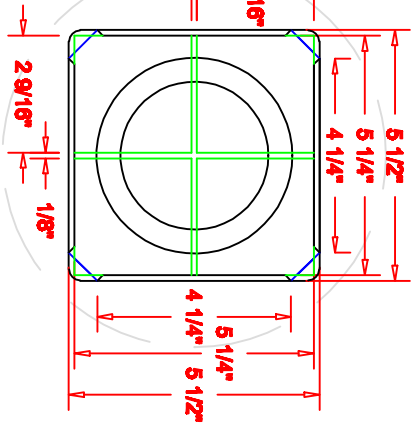
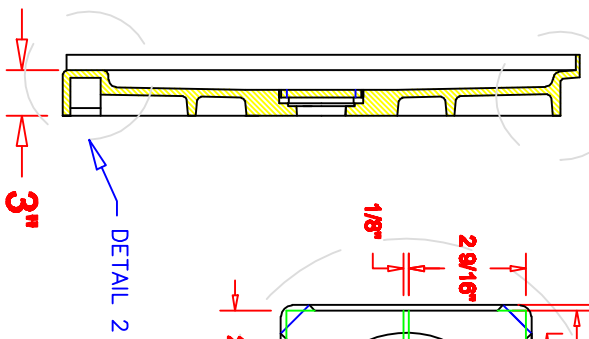
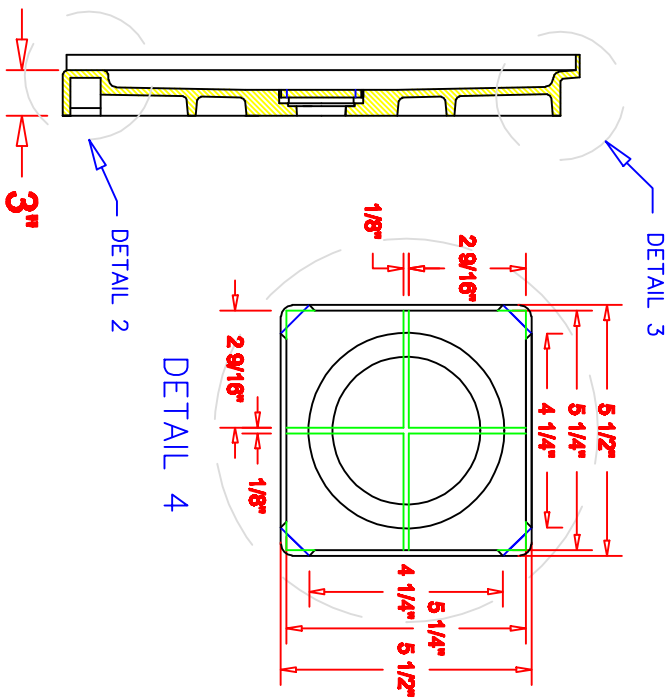
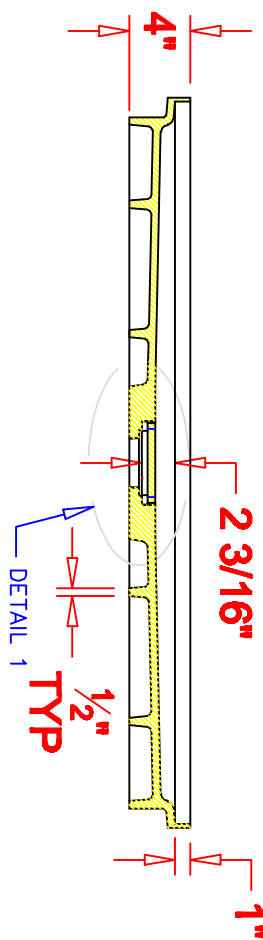
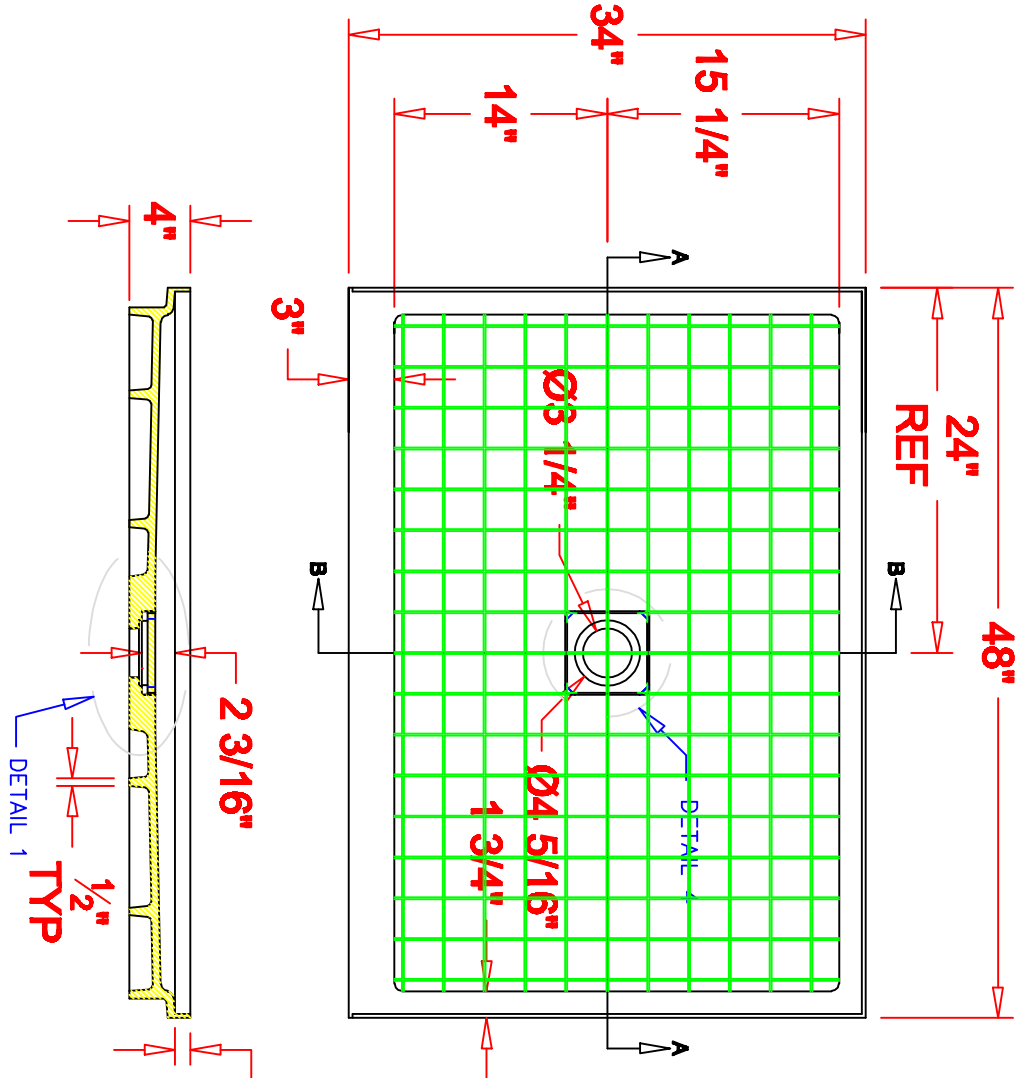



Rev #	Rev #	Rev #



	
125 Linwood Veneer Road Linwood, NC 27299 336-776-3810 FAX 336-776-3811 www.transolid.com	
Part Number:	F4834
Description:	Pan, Standard 34" x 48", Center Drain Location - With Cover
Date Drawn:	03/27/13
Weight:	None
Scale:	None
Drawn By:	Daniel Hollifield
Revised By:	
Approved By:	
Date Revised:	
Customer Approval:	
Date:	
Path:	Engineering\Omnimark