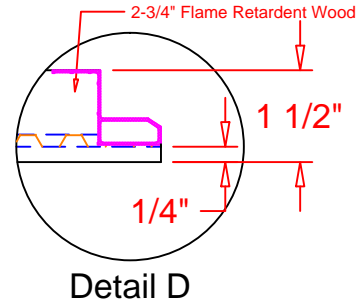
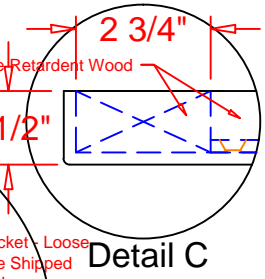
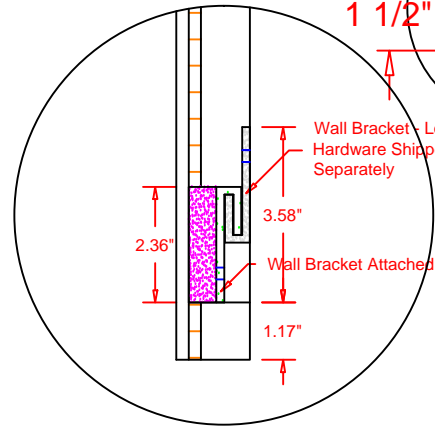
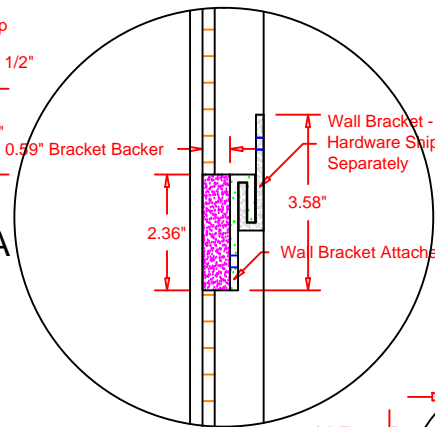
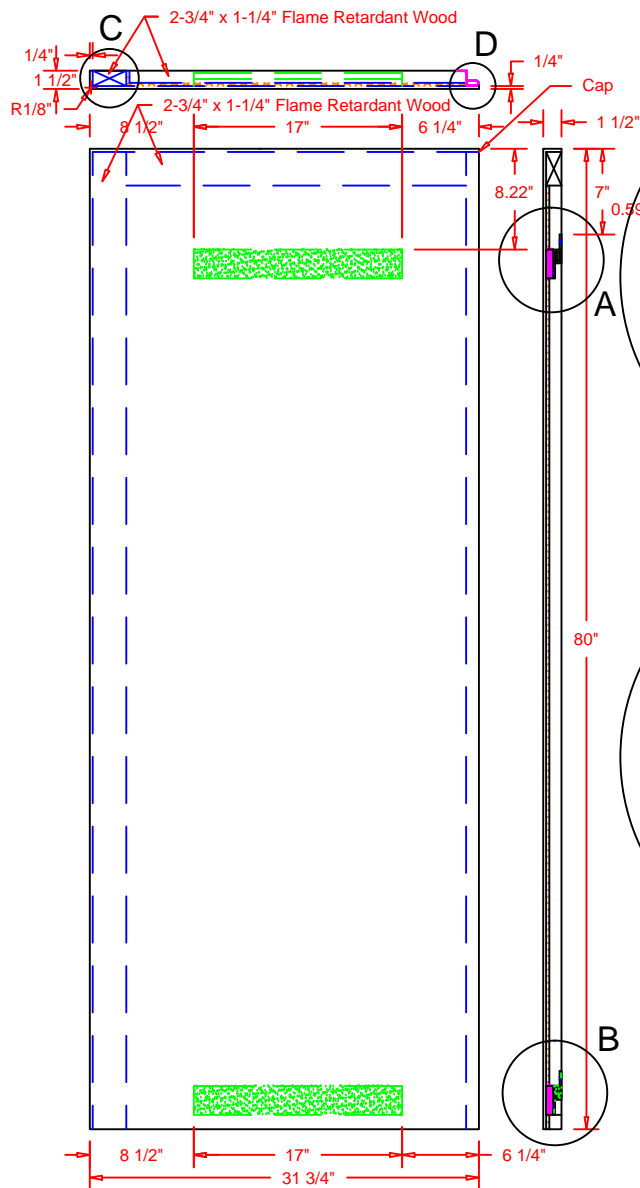


Rev #			
Rev #			



transolid™  
 400 Dietz Road  
 Warren, OH 44482  
 330-393-6624  
 FAX 330-399-4426  
 www.transolid.com

Part Number:	DE328L		
Description:	32" x 60" - Left Wall		
Date Drawn:	12/05/13	Weight:	None
		Scale:	None
Drawn By:	Daniel Hollifield		Revised By:
Approved By:		Date Revised:	

Customer Approval: \_\_\_\_\_ Date: \_\_\_\_\_  
 Path: @Engineering12 Commercial