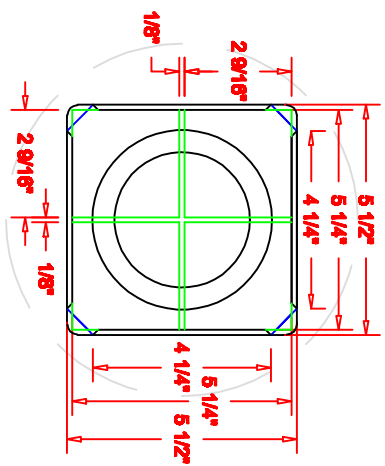
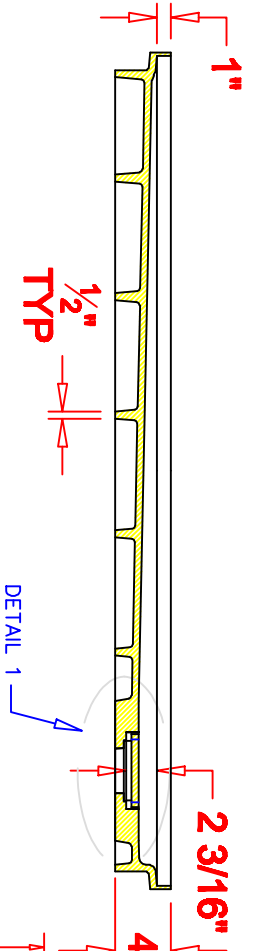
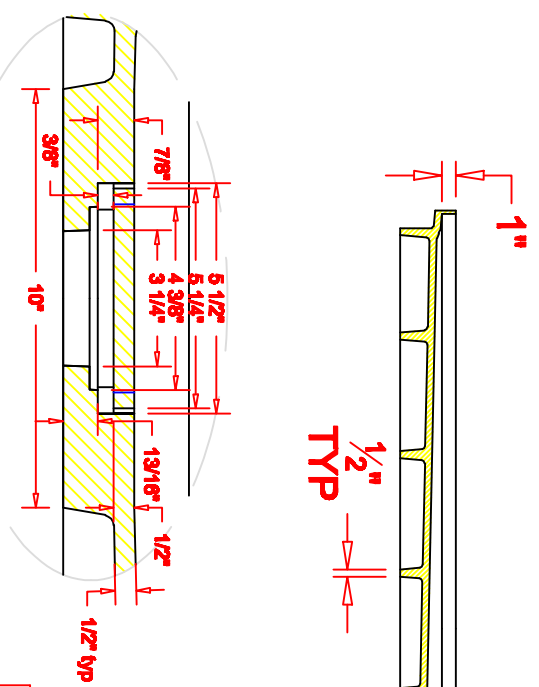
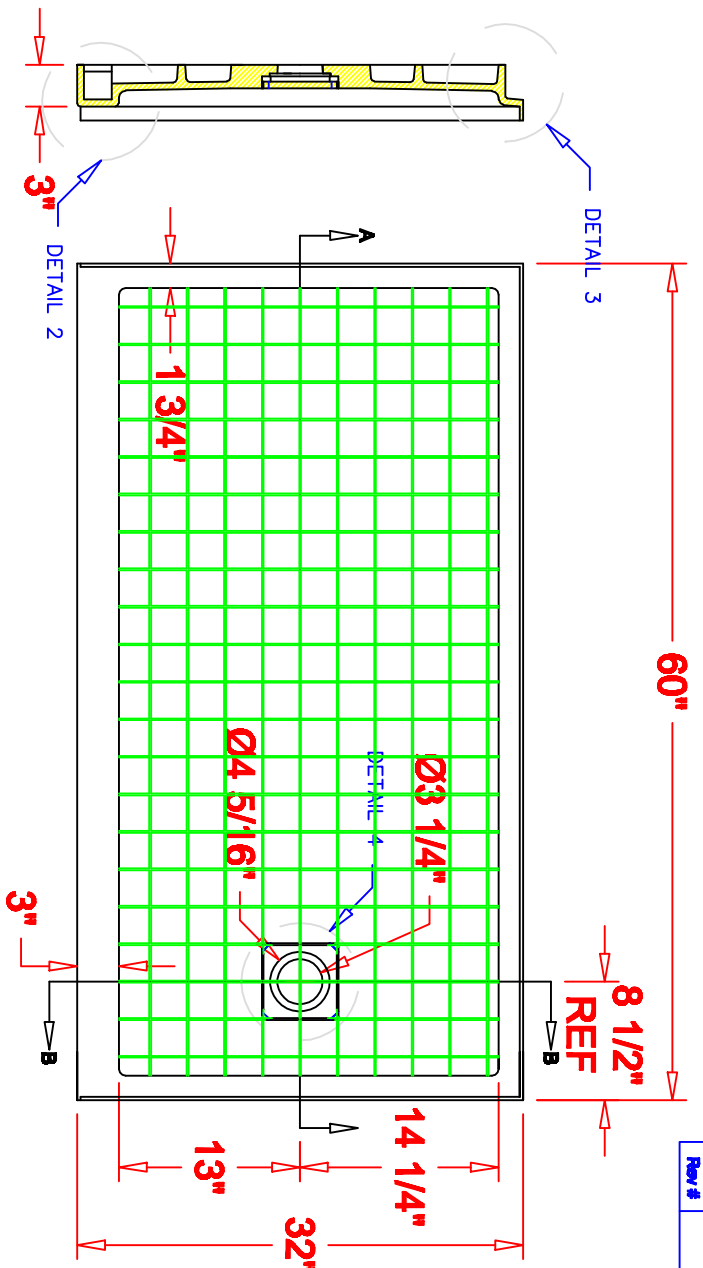
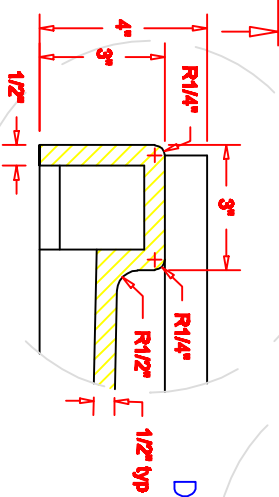


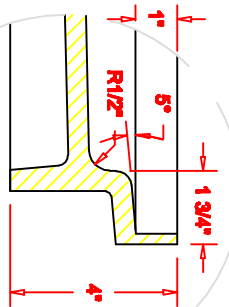
Rev #	Rev #



DETAIL 4



DETAIL 2



DETAIL 3

Customer Approval: _____
 Date: _____
 Pett: Stephen H. Oermann

125 Linwood Veneer Road
 Linwood, NC 27299
 336-776-3810
 FAX 336-776-3811
 www.transolid.com

Part Number:	F6032R		
Description:	Pan, Standard 32" x 60", Right Drain Location - With Cover		
Date Drawn:	09/19/13	Weight:	None
Drawn By:	Daniel Hollifield	Scale:	None
Approved By:		Revised By:	
		Date Revised:	