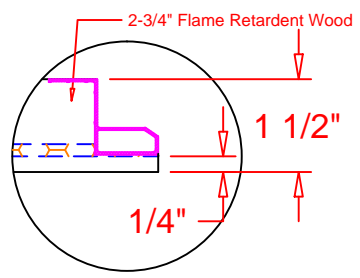
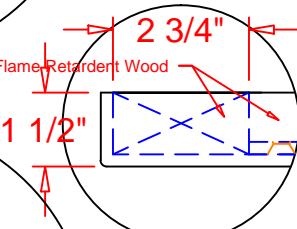
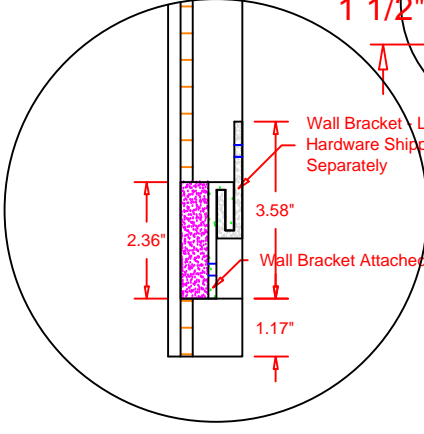
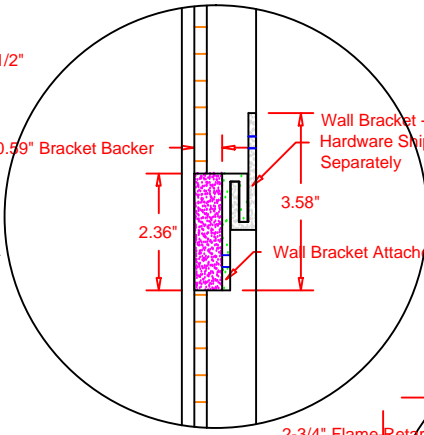
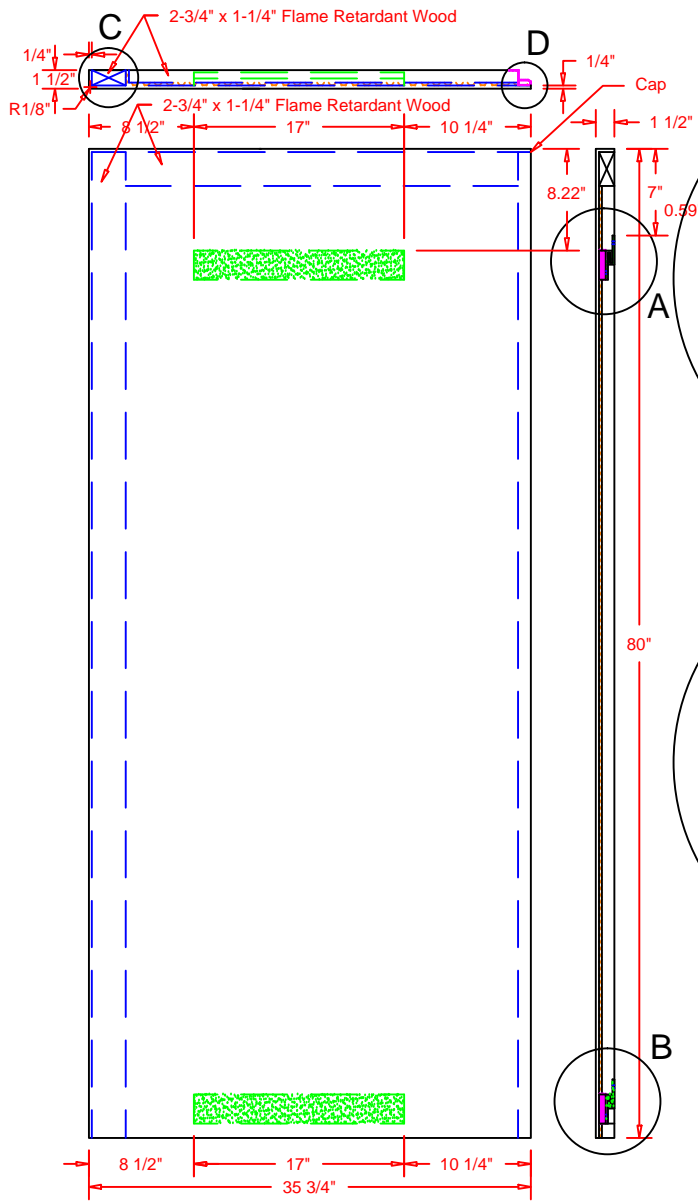


Rev #			
Rev #			



transolid™

400 Dietz Road
Warren, OH 44482
330-393-6624
FAX 330-399-4426
www.transolid.com

Part Number:	DE368L		
Description:	36" x 60" - Left Wall		
Date Drawn:	12/05/13	Weight:	None
		Scale:	None
Drawn By:	Daniel Hollifield		Revised By:
Approved By:		Date Revised:	

Customer Approval: _____ Date: _____

Path: @Engineering12 Commercial