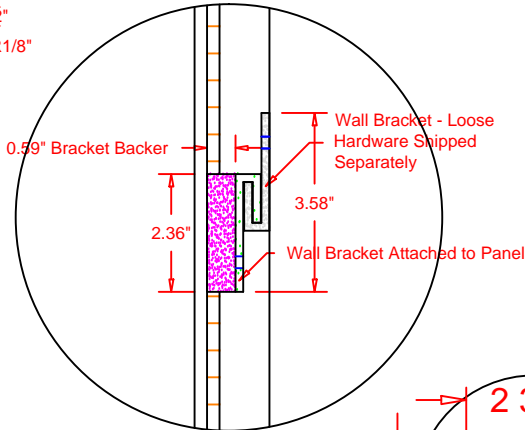
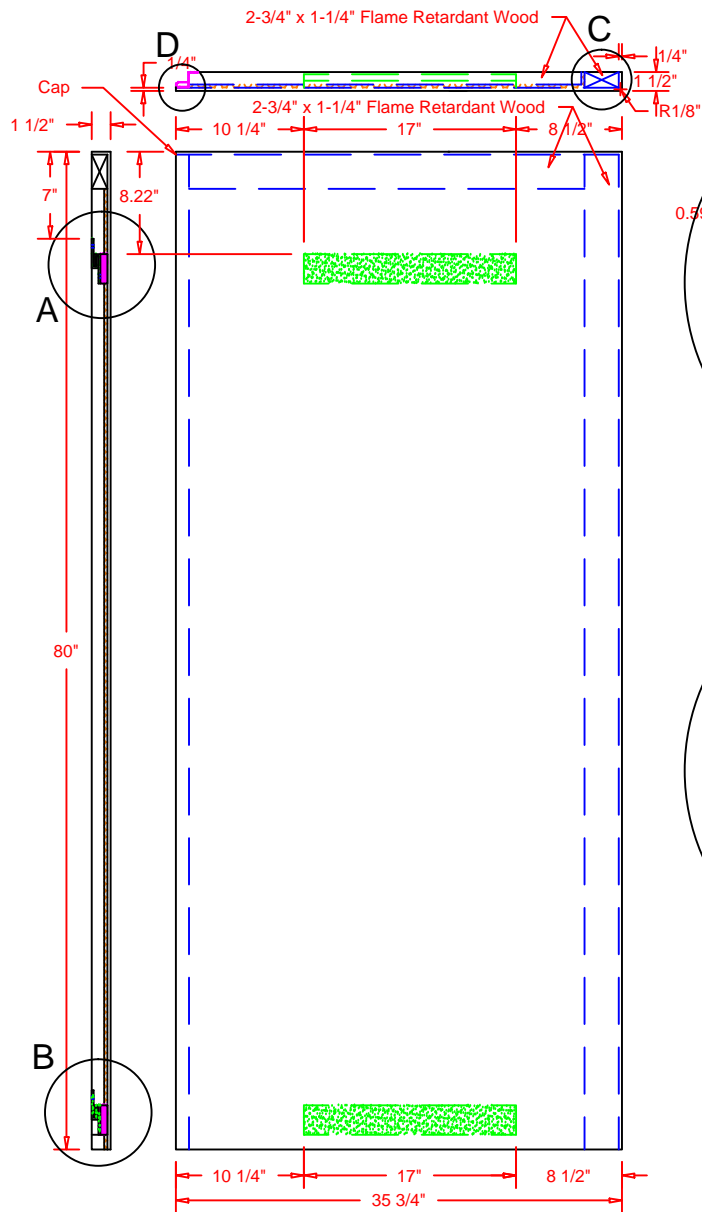
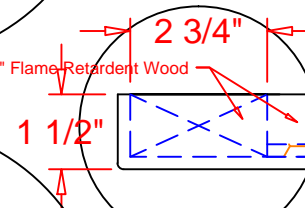


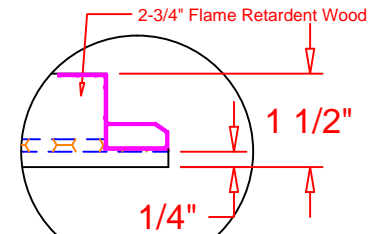
Rev #			
Rev #			



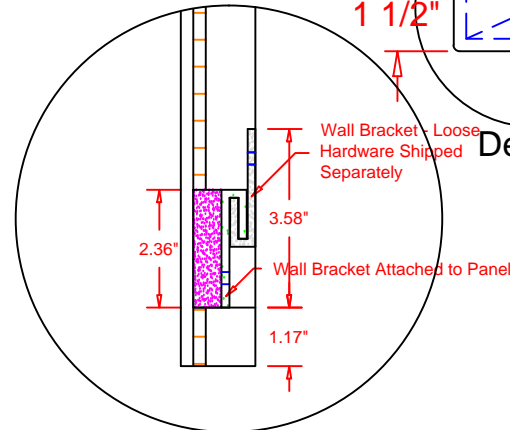
Detail A



Detail C



Detail D



Detail B

transolid™
 400 Dietz Road
 Warren, OH 44482
 330-393-6624
 FAX 330-399-4426
 www.transolid.com

Part Number:	DE368R		
Description:	36" x 60" - Right Wall		
Date Drawn:	12/05/13	Weight:	None
		Scale:	None
Drawn By:	Daniel Hollifield		Revised By:
Approved By:		Date Revised:	

Customer Approval:

Date:

Path: @Engineering2 Commercial