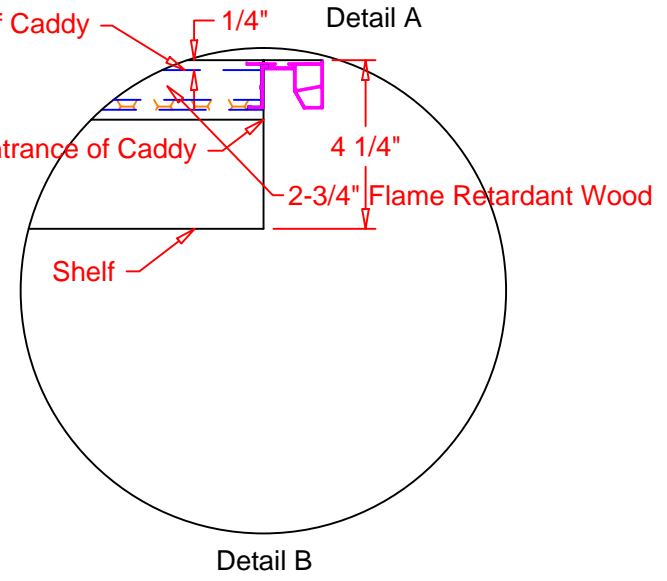
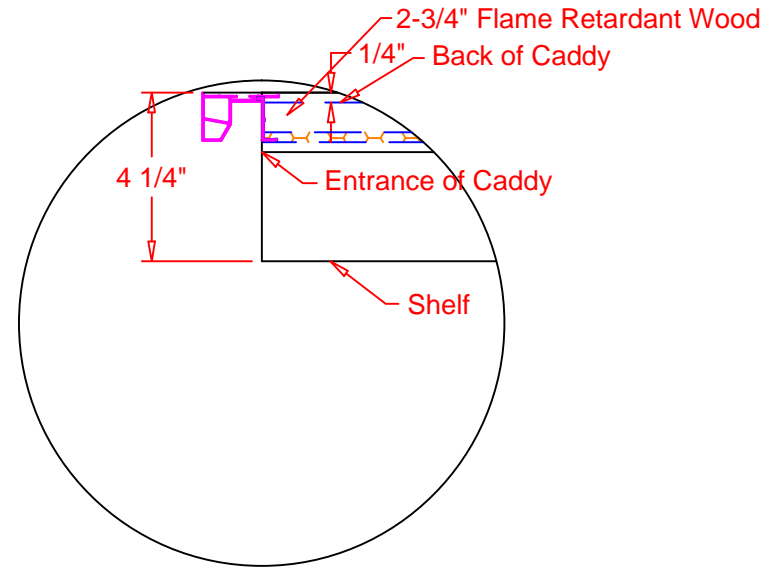
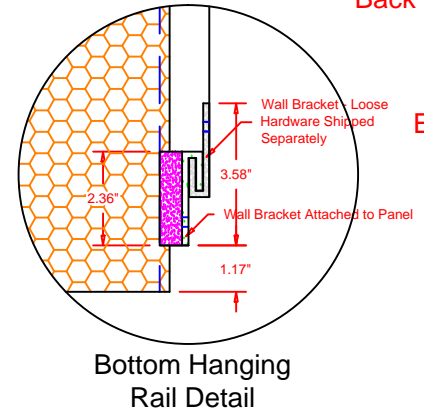
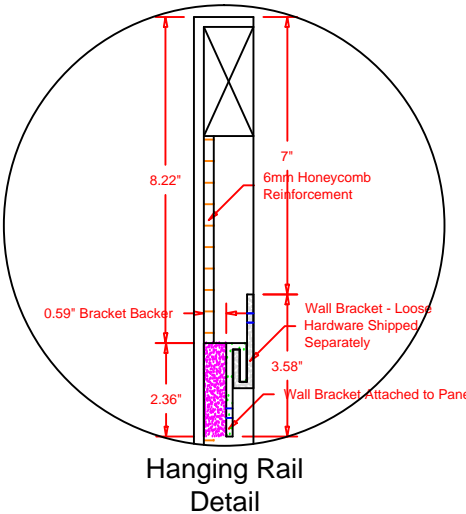
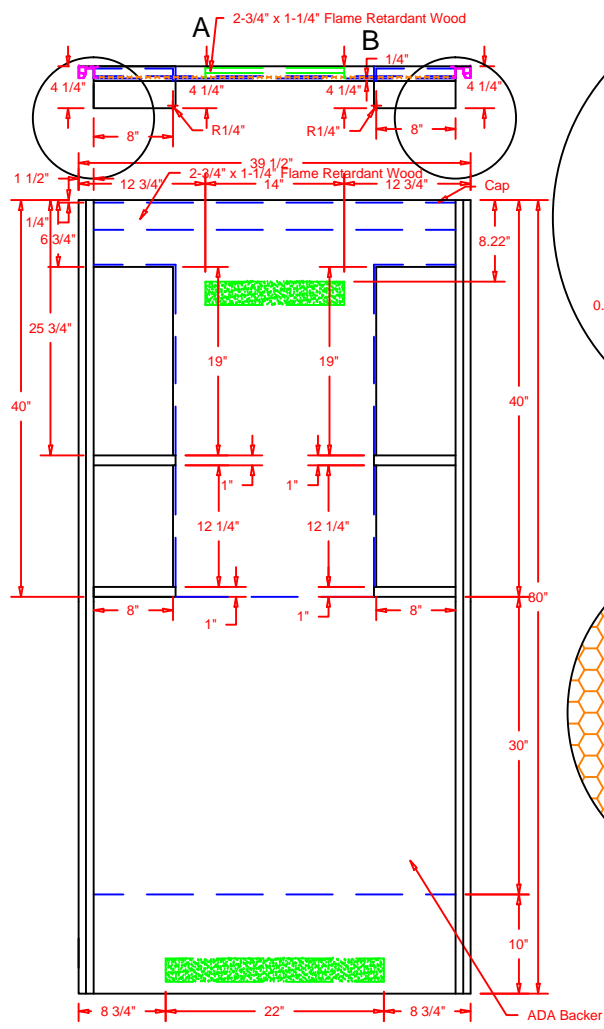


Rev #		
Rev #		



transolid™
 400 Dietz Road
 Warren, OH 44482
 330-393-6624
 FAX 330-399-4426
 www.transolid.com

Part Number:	DB398A		
Description:	37-3/4" x 39-1/2" - Back Wall		
Date Drawn:	12/05/13	Weight:	None
		Scale:	None
Drawn By:	Daniel Hollifield	Revised By:	
Approved By:		Date Revised:	

Customer Approval: _____ Date: _____
 Path: @Engineering2 Commercial