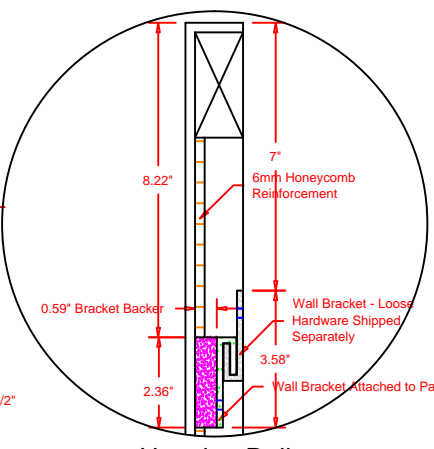
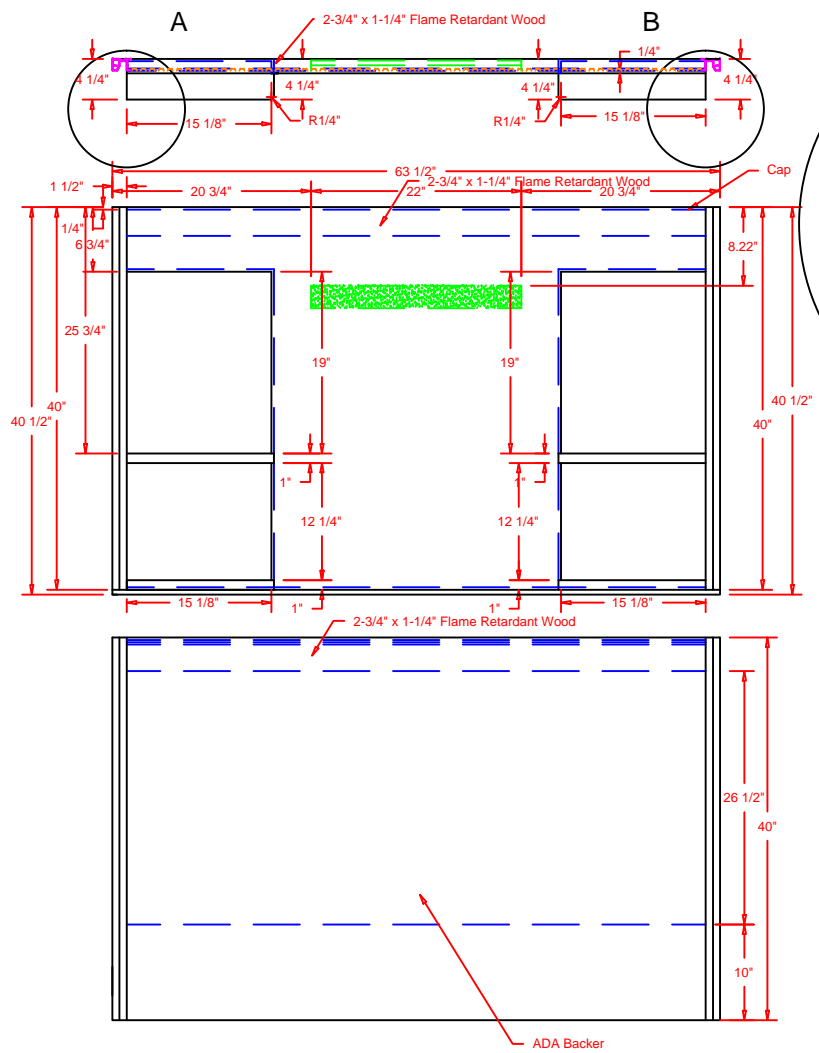
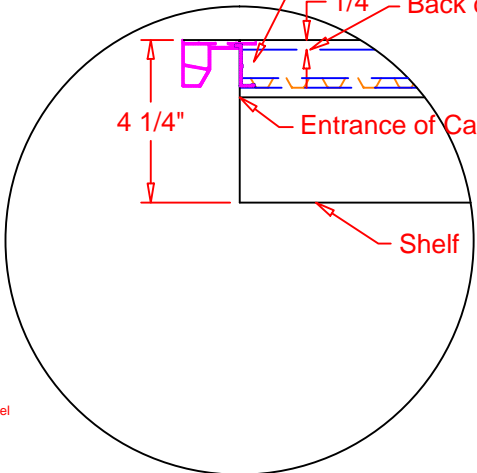


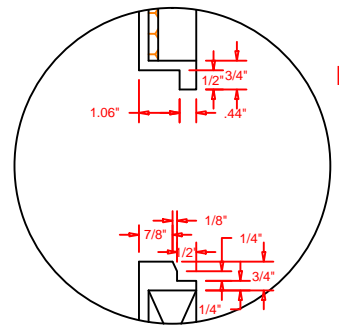
Rev #		
Rev #		



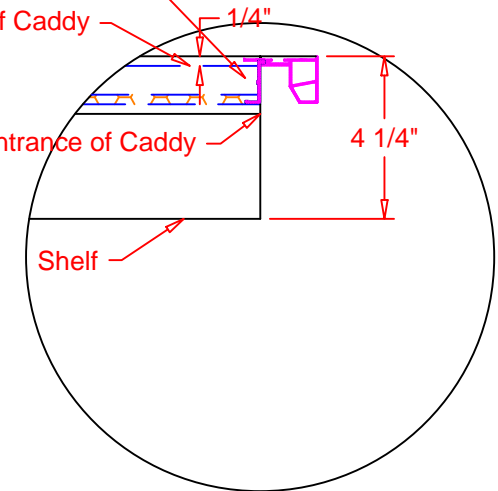
Hanging Rail Detail



Detail A



Back Wall Connection Point Detail



Detail B

Customer Approval:

Date:

Path: @Engineering12 Commercial

400 Dietz Road
Warren, OH 44482
330-393-6624
FAX 330-399-4426
www.transolid.com

Part Number:	DB638A		
Description:	37-3/4" x 63-1/2" - Back Wall		
Date Drawn:	12/05/13	Weight:	None
		Scale:	None
Drawn By:	Daniel Hollifield		Revised By:
Approved By:		Date Revised:	