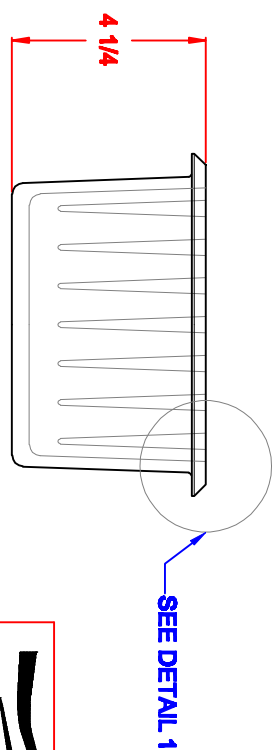
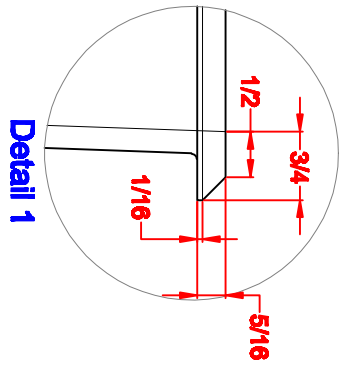
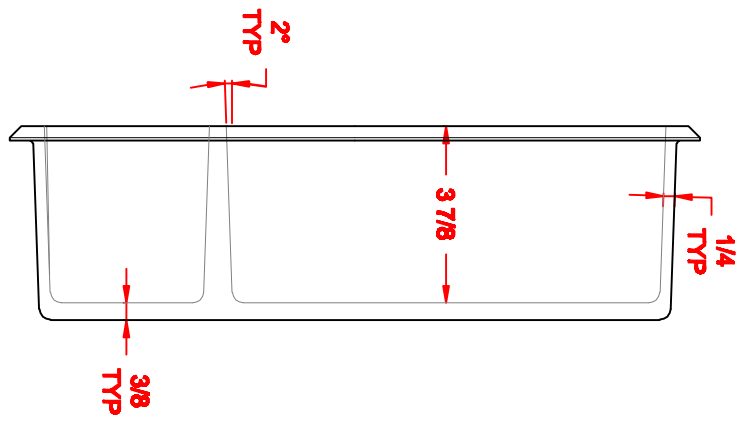
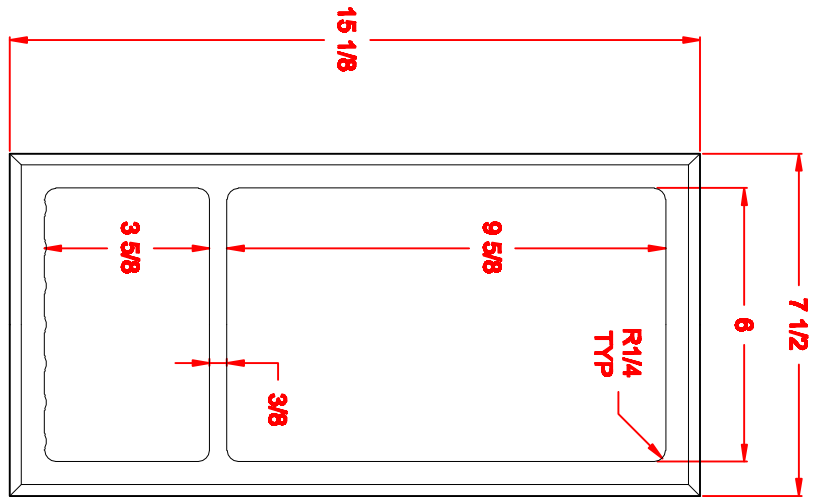




Rev #	Rev #	Rev #	Rev #



Customer Approval:  Date: _____

Part#: 

transolid™
 400 Dietz Road
 Warren, OH 44482
 800-768-2452
 FAX 330-399-4421
 www.transolid.com

Part Number:	7ACCSS0002XX		
Description:	Shower Caddy 7 1/2" X 15"		
Date Drawn:	08 / 03 / 2011	Weight:	
Drawn By:	Carlos Hernandez	Scale:	None
Approved By:		Revised By:	
		Date Revised:	