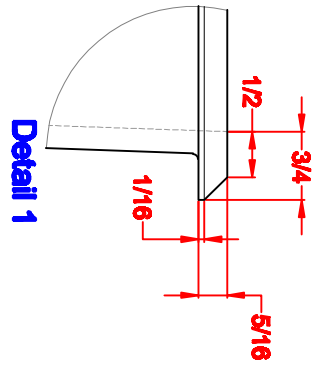
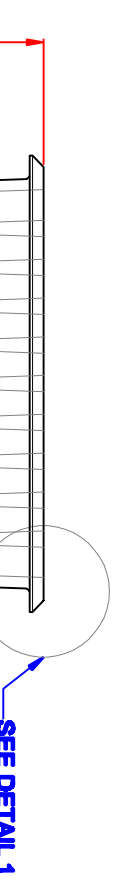
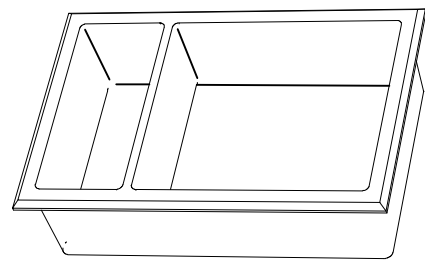
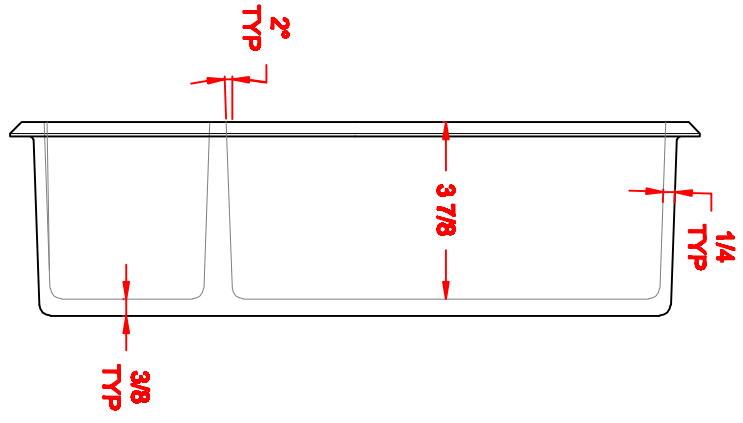
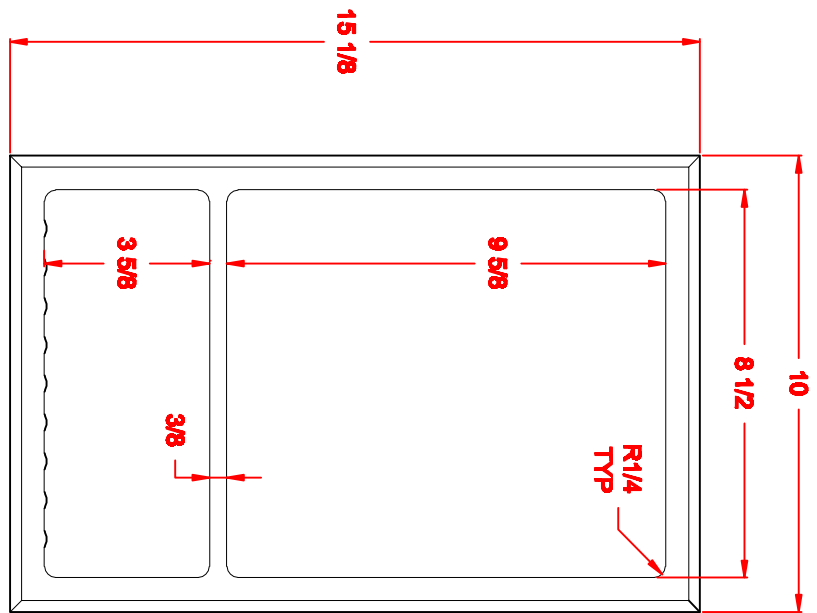





Rev #	Rev #



Customer Approval: 

Date: _____

Part#: 



400 Dietz Road
Warren, OH 44482
800-768-2452
FAX 330-399-4421
www.transolid.com

Part Number:	7ACCESS0003XX		
Description:	Shower Caddy 10" X 15"		
Date Drawn:	08 / 03 / 2011	Weight:	
Drawn By:	Carlos Hernandez	Scale:	None
Approved By:		Revised By:	
		Date Revised:	