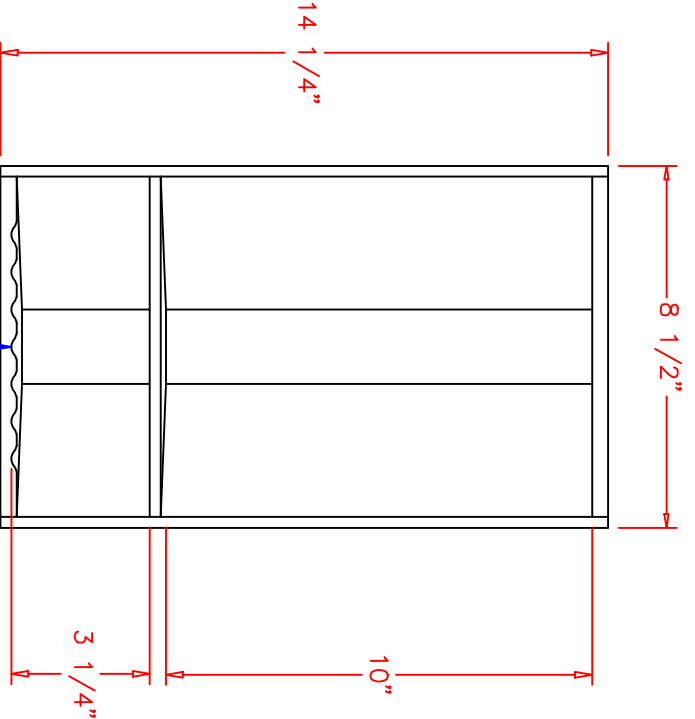
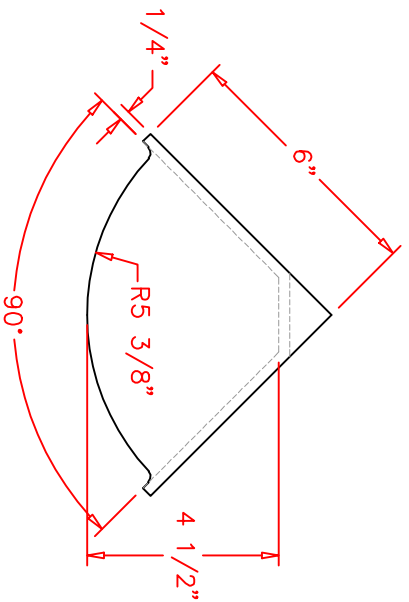
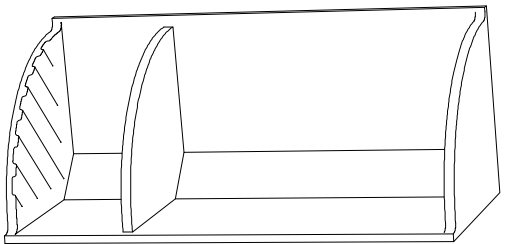
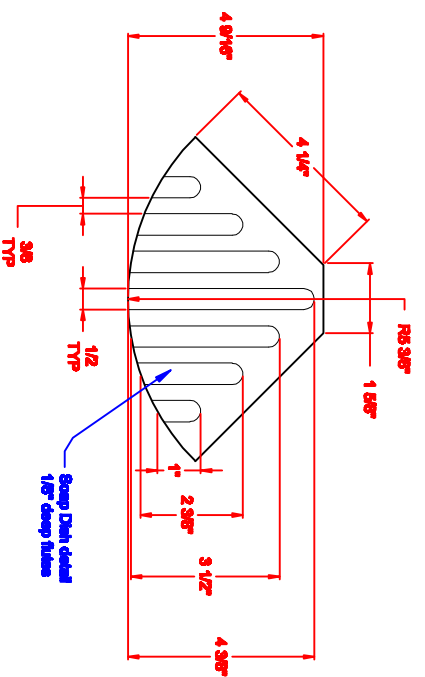
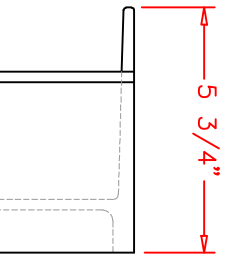




Rev #	Rev #



See Soap dish detail



Customer Approval:  Date: _____
 Part #: 

transolid™
 400 Dietz Road
 Warren, OH 44482
 800-768-2452
 FAX 330-399-4421
 www.transolid.com

Part Number:	7ACCESS0004XX		
Description:	Molded Corner Caddy		
Date Drawn:	08 / 03 / 2011	Weight:	
Drawn By:	Carlos Hernandez	Scale:	None
Approved By:		Revised By:	
		Date Revised:	