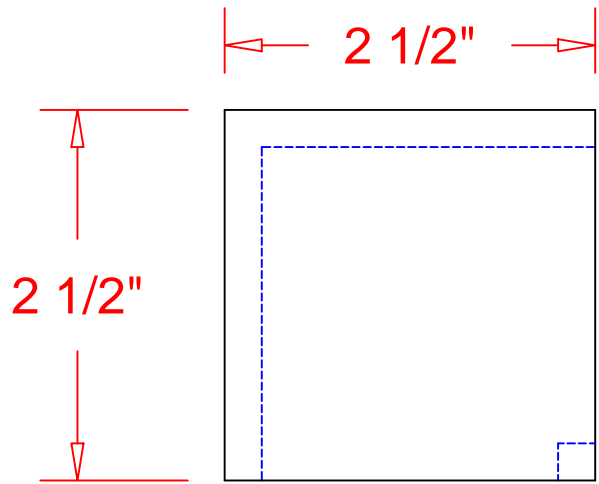
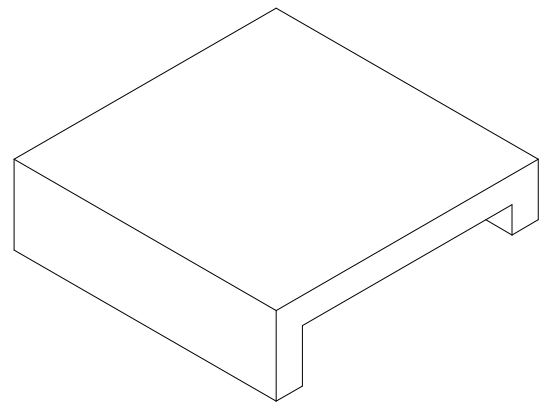


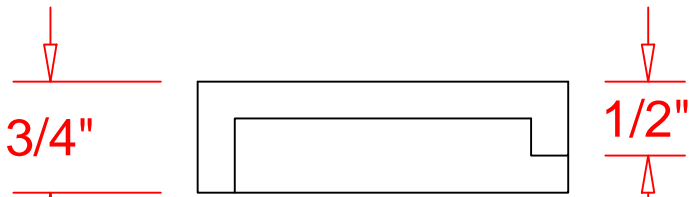
Rev #			
Rev #			



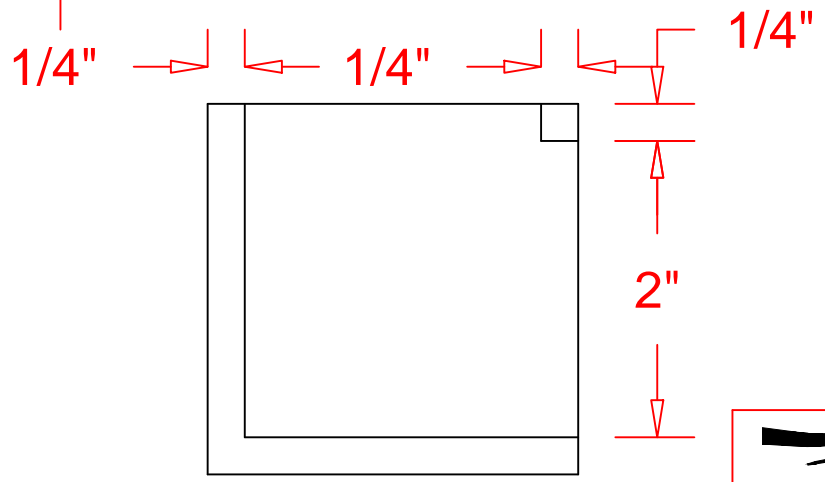
Top View



Isometric



Side View



Bottom View

transolid™
 400 Dietz Road
 Warren, OH 44482
 330-393-6624
 FAX 330-399-4426
 www.transolid.com

Part Number:	7DCTB252502		
Description:	Corner Block		
Date Drawn:	11/10/2011	Weight:	None
		Scale:	None
Drawn By:	Carlos Hernandez		Revised By:
Approved By:		Date Revised:	

Customer Approval: _____ Date: _____

Path: @Engineering\2 Commercial\