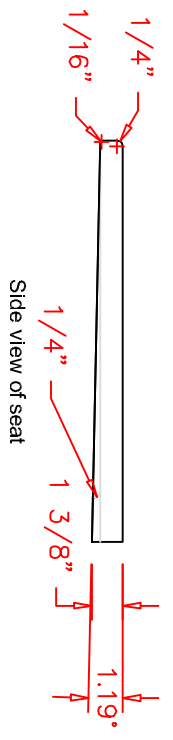
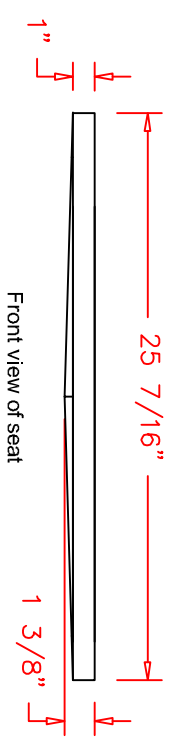
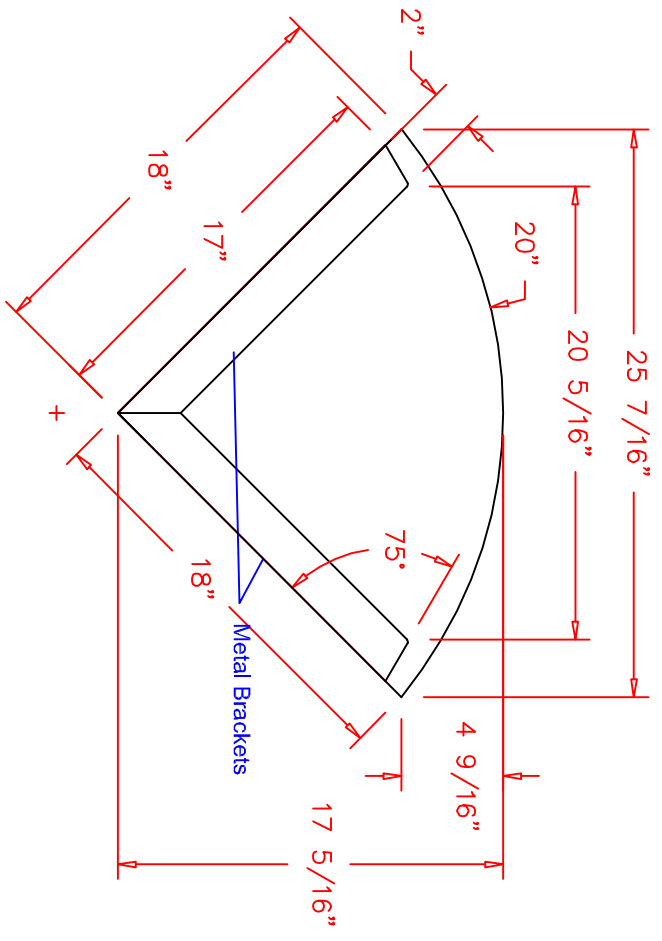
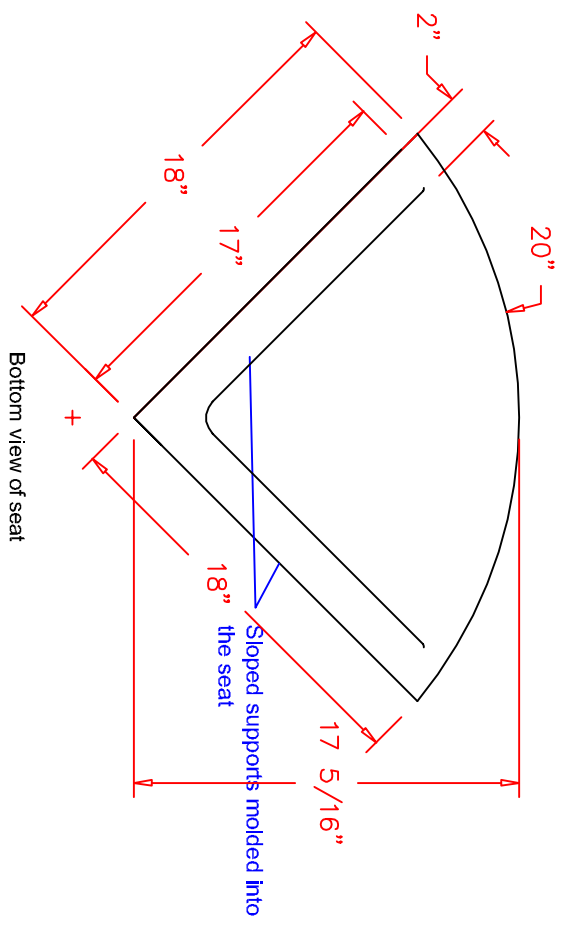


Rev	Name	Date	Description



Customer Approval: _____ Date: _____

Path: _____



transolid™
 2599 Charlotte Hwy.
 Mooresville, N.C. 28117
 704-660-7660
 FAX 704-660-7661
 www.transolid.com

Part Number:	7SEAT181800XX		
Description:	18" x 18" corner shower seat-Decor/SS		
Date Drawn:	2/2/07	Weight:	None
Drawn By:	Jeff Smith	Revised By:	
Approved By:		Date Revised:	
Scale:	None		