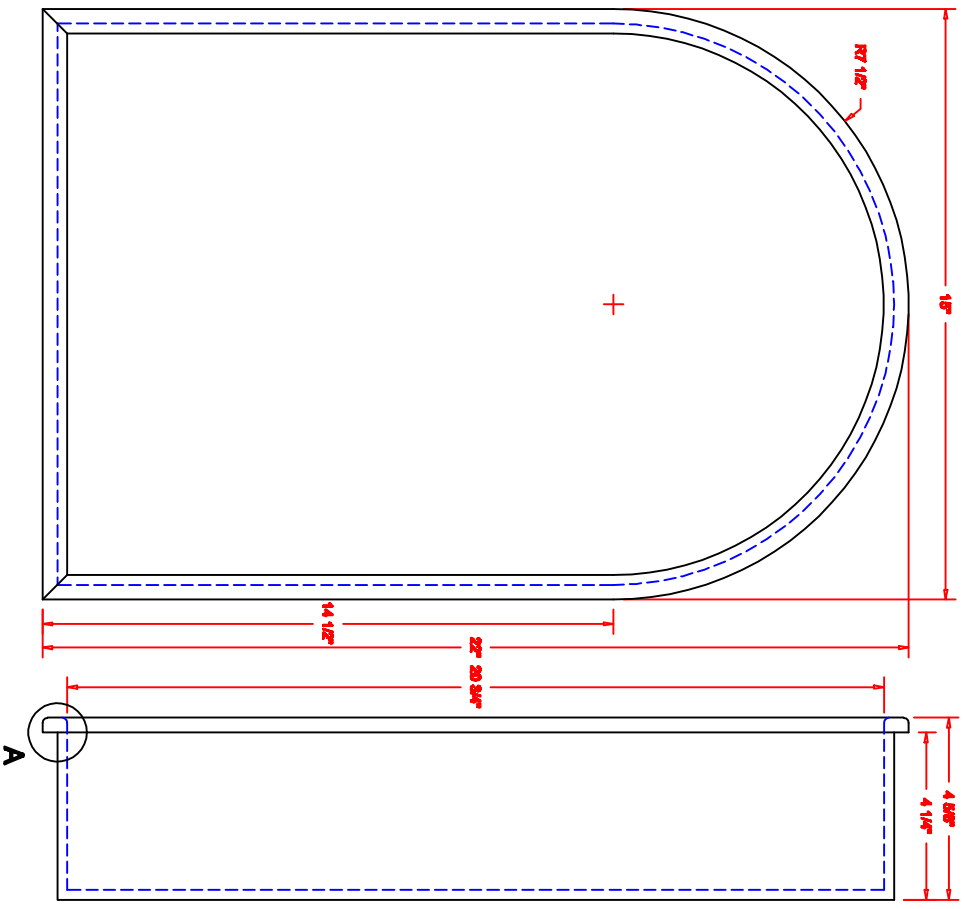
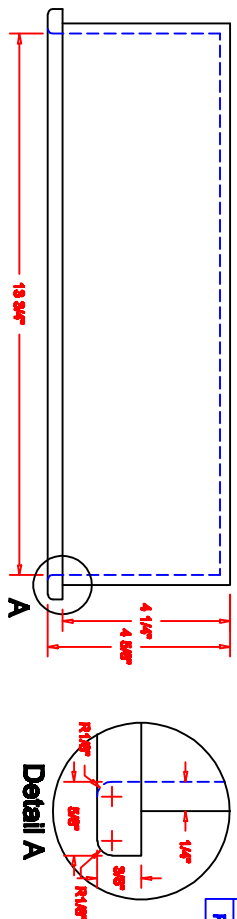


| Rev # | Rev # | Rev # | Rev # |
|-------|-------|-------|-------|
| | | | |



Customer Approval: _____
 Date: _____
 Path: [Engineering Commands](#)

transolid™
 400 Dietz Road
 Warren, OH 44482
 330-393-6624
 FAX 330-399-4426
 www.transolid.com

| | | | |
|--------------|--------------------|---------------|------|
| Part Number: | RWSA1522 | | |
| Description: | Arched Wall Pocket | | |
| Date Drawn: | 03/06/13 | Weight: | None |
| Drawn By: | D. Hollifield | Scale: | None |
| Approved By: | | Revised By: | |
| | | Date Revised: | |