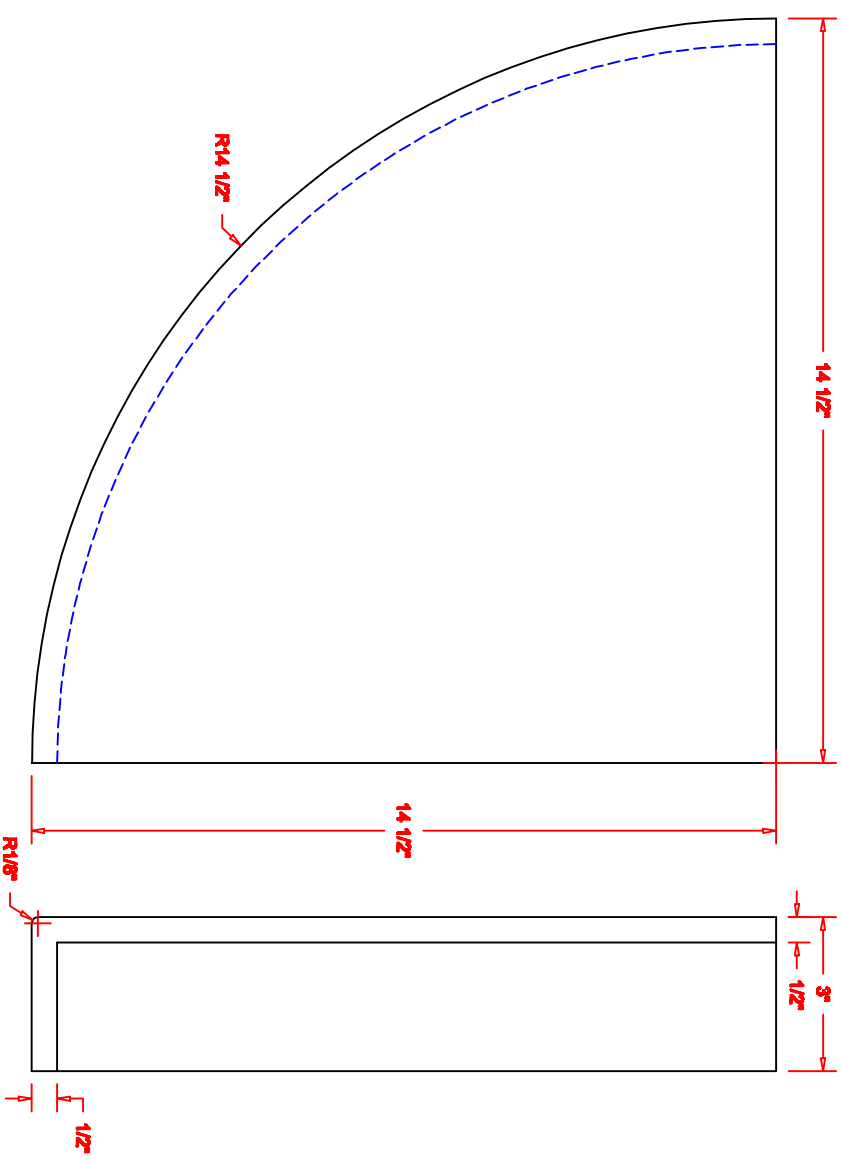
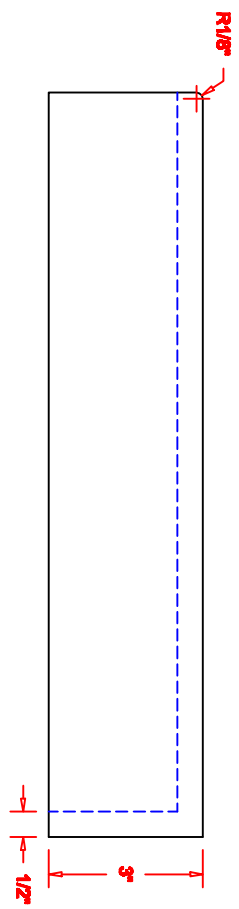



Rev #	Rev #	Rev #



Customer Approval: \_\_\_\_\_  
 Date: \_\_\_\_\_  
 Pattn: [Engineering@transolid.com](mailto:Engineering@transolid.com)



**transolid™**  
 400 Dietz Road  
 Warren, OH 44482  
 330-393-6624  
 FAX 330-399-4426  
 www.transolid.com

Part Number:	<b>RCSS1414</b>		
Description:	<b>Corner Seat</b>		
Date Drawn:	<b>03/06/13</b>	Weight:	None
Drawn By:	<b>D. Hollifield</b>	Scale:	None
Approved By:		Revised By:	
		Date Revised:	