

FEATURES

- ALL-IN-ONE Toilet Kit
- Kit includes close coupled 2-pc. toilet. Combination elongated front bowl and tank with seat. Wax seal, hold-down bolts.
- 12" (305mm) rough-in.
- Vitreous china.
- Chrome trip lever.
- Low consumption (1.6 gpf/6.0 Lpf).
- Gravity feed, siphon action bowl.
- 2" fully-glazed trapway.
- 2 color-matched bolt caps.
- 5 Year Limited Residential Warranty / 1 Year Commercial Warranty

COLORS

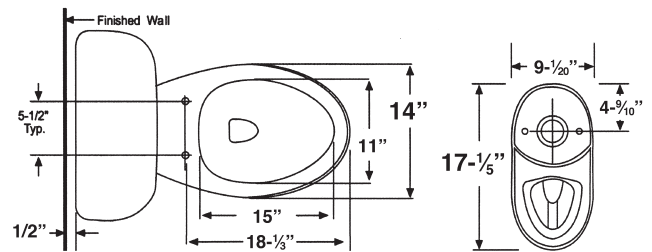
- White



TOILETS/LAVS

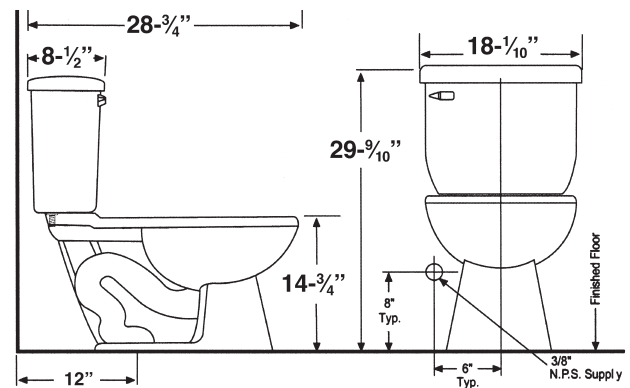
Specified Model

	MODEL NO.	DESCRIPTION	Length	Width	Height
COMPLETE TOILET KITS					
<input type="checkbox"/>	TBTS1-1445	Elongated Front Toilet Kit	28 ³ / ₄ "	18 ¹ / ₁₀ "	29 ⁹ / ₁₀ "



To Be Specified: Color (see below)

01 White



**Compliance Certifications -
Meets or Exceeds the Following Specifications**

- ASME A112.19.2M-1998
- Canadian Uniform Plumbing Code 2002
- UPC®

This toilet is designed to rough-in at a minimum dimension of 305mm (12") from finished wall to C/L of outlet. Supply not included with fixture and must be ordered separately.

Dimension shown for location of supply is suggested. For additional information refer to installation instructions supplied.