

**FEATURES**

- Close coupled 2-pc. toilet. Combination elongated front bowl and tank, less seat.
- 12" (305mm) rough-in.
- Vitreous china.
- Chrome trip lever.
- Low consumption (1.6 gpf/6.0 Lpf).
- Gravity feed, siphon action bowl.
- 2" fully-glazed trapway.
- 2 color-matched bolt caps.
- 5 Year Limited Residential Warranty / 1 Year Commercial Warranty

**COLORS**

- White

**OPTIONS**

- Tank with right-hand trip lever.



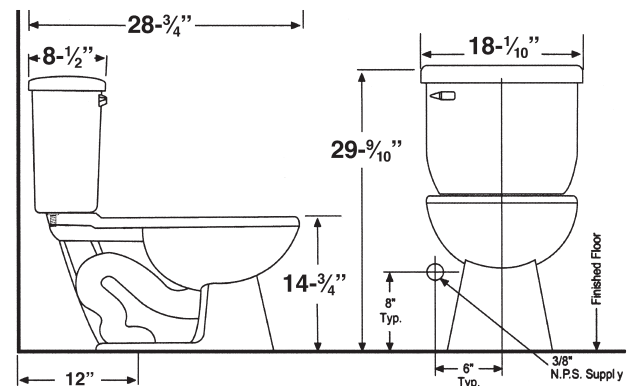
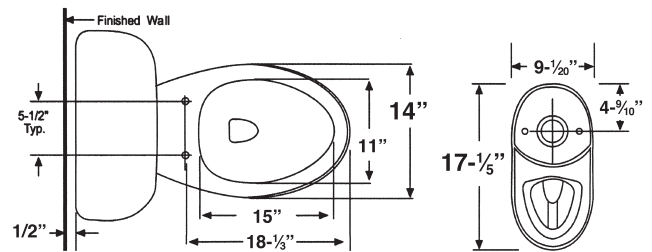
**TOILETS/LAVS**

**Specified Model**

	MODEL NO.	DESCRIPTION	Length	Width	Height
<b>COMPLETE TOILET KITS</b>					
<input type="checkbox"/>	TBT-1445	EL Bowl & LH Tank	28 <sup>3</sup> / <sub>4</sub> "	18 <sup>1</sup> / <sub>10</sub> "	29 <sup>9</sup> / <sub>10</sub> "
<input type="checkbox"/>	TBT-1445-01	EL Bowl & RH Tank	28 <sup>3</sup> / <sub>4</sub> "	18 <sup>1</sup> / <sub>10</sub> "	29 <sup>9</sup> / <sub>10</sub> "
<b>INDIVIDUAL COMPONENTS</b>					
<input type="checkbox"/>	TB-1445	Elongated Front Bowl	28 <sup>3</sup> / <sub>4</sub> "	14"	14 <sup>3</sup> / <sub>4</sub> "
<input type="checkbox"/>	TT-1440	Toilet Tank - LH Trip Lever	8 <sup>1</sup> / <sub>2</sub> "	18 <sup>1</sup> / <sub>10</sub> "	14 <sup>11</sup> / <sub>15</sub> "
<input type="checkbox"/>	TT-1440-01	Toilet Tank - RH Trip Lever	8 <sup>1</sup> / <sub>2</sub> "	18 <sup>1</sup> / <sub>10</sub> "	14 <sup>11</sup> / <sub>15</sub> "

**To Be Specified:** Color (see below)

01 White



**Compliance Certifications -  
Meets or Exceeds the Following Specifications**

- ASME A112.19.2M-1998
- Canadian Uniform Plumbing Code 2002
- UPC®

This toilet is designed to rough-in at a minimum dimension of 305mm (12") from finished wall to C/L of outlet. Supply not included with fixture and must be ordered separately.

Dimension shown for location of supply is suggested. For additional information refer to installation instructions supplied.