

### FEATURES

- Close coupled 2-pc. toilet. Combination elongated front bowl and tank, less seat.
- 12" (305mm) rough-in.
- Vitreous china.
- High efficiency (1.28 gpf/4.8 Lpf).
- Gravity feed, siphon action bowl.
- 2" fully-glazed trapway.
- 16-1/2" comfort height.
- Chrome trip lever.
- 2 color-matched bolt caps.
- 5 Year Limited Residential Warranty / 1 Year Commercial Warranty

### COLORS

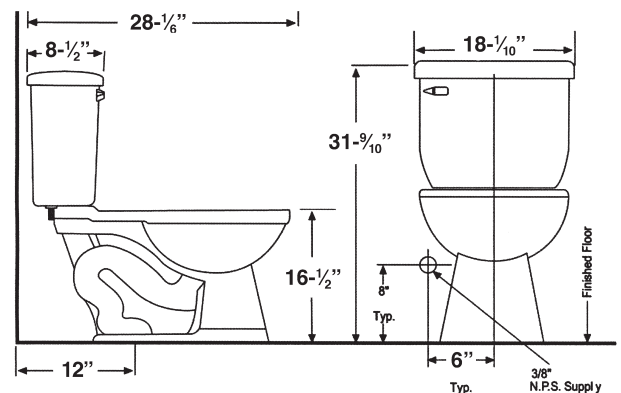
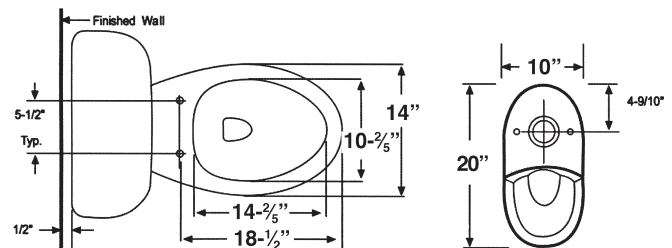
- White



TOILETS/LAVS

### Specified Model

	MODEL NO.	DESCRIPTION	Length	Width	Height
<b>COMPLETE TOILET KITS</b>					
<input type="checkbox"/>	TBT-1475	EL Bowl & LH Tank	28 <sup>1</sup> / <sub>6</sub> "	18 <sup>1</sup> / <sub>10</sub> "	31 <sup>9</sup> / <sub>10</sub> "
<b>INDIVIDUAL COMPONENTS</b>					
<input type="checkbox"/>	TB-1475	Elongated Front Bowl	28 <sup>1</sup> / <sub>6</sub> "	14"	16 <sup>1</sup> / <sub>2</sub> "
<input type="checkbox"/>	TT-1470	Toilet Tank - LH Trip Lever	8 <sup>1</sup> / <sub>2</sub> "	18 <sup>1</sup> / <sub>10</sub> "	15 <sup>1</sup> / <sub>10</sub> "



**To Be Specified:** Color (see below)

01 White

### Compliance Certifications -

#### Meets or Exceeds the Following Specifications

- ASME A112.19.2M-1998
- Canadian Uniform Plumbing Code 2002
- UPC®



Meets the Americans with Disabilities Act guidelines and ANSI A117.1 requirements for accessible and usable building facilities-check local codes

This toilet is designed to rough-in at a minimum dimension of 305mm (12") from finished wall to C/L of outlet. Supply not included with fixture and must be ordered separately.

Dimension shown for location of supply is suggested. For additional information refer to installation instructions supplied.